



MITSUBISHI ELECTRIC AUTOMATION (THAILAND) CO., LTD.

Bang-Chan Industrial Estate No. 111 Moo 4, Serithai Rd., T.Kannayao, A.Kannayao, BKK 10230 Thailand
 Tel: (66) 2517-1326, (66) 2919-9873 Fax: (66) 2517-1328 URL: www.meath-co.com E-mail: support@meath.co.th

บริษัท มิตซูบิชิ อิเล็กทริก ออโตเมชั่น (ประเทศไทย) จำกัด

นิติบุคคลสาขาระบบงานอัตโนมัติ เลขที่ 111 หมู่ 4 ถนนเสรีไทย แขวงคันนายาว เขตคันนายาว กทม. 10230

โทรศัพท์: (66) 2517-1326, (66) 2919-9873 โทรสาร: (66) 2517-1328 URL: www.meath-co.com E-mail: support@meath.co.th

MOTOR SPECIFICATION SHEET

MODEL : SF-QRGC 5HP 4P RATIO 1:21 (HT)

USED FOR : GEAR MOTOR

DESCRIPTION	DETAIL		
PHASE	3		
MODEL NAME	SF-QRGC		
RATED OUTPUT, HP (kW)	5 (3.7)		
POLE	4		
CODE	MEATH CODE : 1G1021-050N6125QR1		
OUTLINE DRAWING NO.	ONM14O320-A		
RATED VOLTAGE (V)	380	415	
RATED FREQUENCY (Hz)	50	50	
RATED CURRENT (A)	8.1	8.0	
RATED SPEED (min ⁻¹) *	69	69	
RATED EFFICIENCY (%)	82.7	82.7	
EFFICIENCY CLASS	IE1		
THERMAL CLASS	155(F)		
RATING	S1 (CONTINUOUS)		
ENCLOSURE CONSTRUCTION	TOTALLY ENCLOSED FAN COOLED		
DEGREES OF PROTECTION	IP55		
METHOD OF COOLING	IC411		
FRAME NO.	112M		
WEIGHT (kg)	53.5		
STANDARD	IEC 60034-1, IEC 60034-30-1		
INSTALLATION	FOOT MOUNTED		
ROTATION	CW (VIEWED FROM SHAFT END)		
BEARING	LOAD SIDE	: 6206ZZ	
	OPPOSITE SIDE	: 6206ZZ	
BEARING GREASE	UREA GREASE		
CIRCUMSTANCE CONDITION	AMBIENT TEMPERATURE	: -20 ~ +40°C	
	AMBIENT HUMIDITY	: 95%RH OR LESS	
	ABOVE SEA LEVEL	: 1000m OR LESS	
	ENVIRONMENT	: NO BURSTING/EROSIVE GAS OR VAPOR	
COLOR	MUNSELL N1.5 (BLACK)		
TERMINAL BOX	NO. OF LEAD WIRES	: 6	
	SOURCE CONNECTION	: TERMINAL BLOCK	
GEAR RATIO	1:21		
GEAR LUBRICANT	GREASE (Filled from factory.)		
SERVICE FACTOR	1.29		
MATERIAL	FRAME	: STEEL PLATE	
	BRACKET (GEAR SIDE)	: CAST IRON	
	BRACKET (OPP SIDE)	: ALUMINIUM	
	GEAR CASE	: CAST IRON	
	SHAFT (MOTOR)	: STEEL	
	SHAFT (GEAR OUTPUT)	: STEEL	
	STATOR CORE	: ELECTRICAL STEEL	
	WIRE	: ENAMELLED COPPER MAGNET WIRE	
	ROTOR CORE	: ELECTRICAL STEEL	
	CONDUCTOR	: ALUMINIUM	
	TERMINAL BOX	: STEEL PLATE	
	PAINTING	: POLYURETHANE RESIN	
	PRODUCTION COUNTRY	THAILAND	

* THIS VALUE IS CALCULATED BY " MOTOR RATED SPEED / GEAR RATIO ".
 (SPECIFICATION VALUE IS 69 min⁻¹ .)

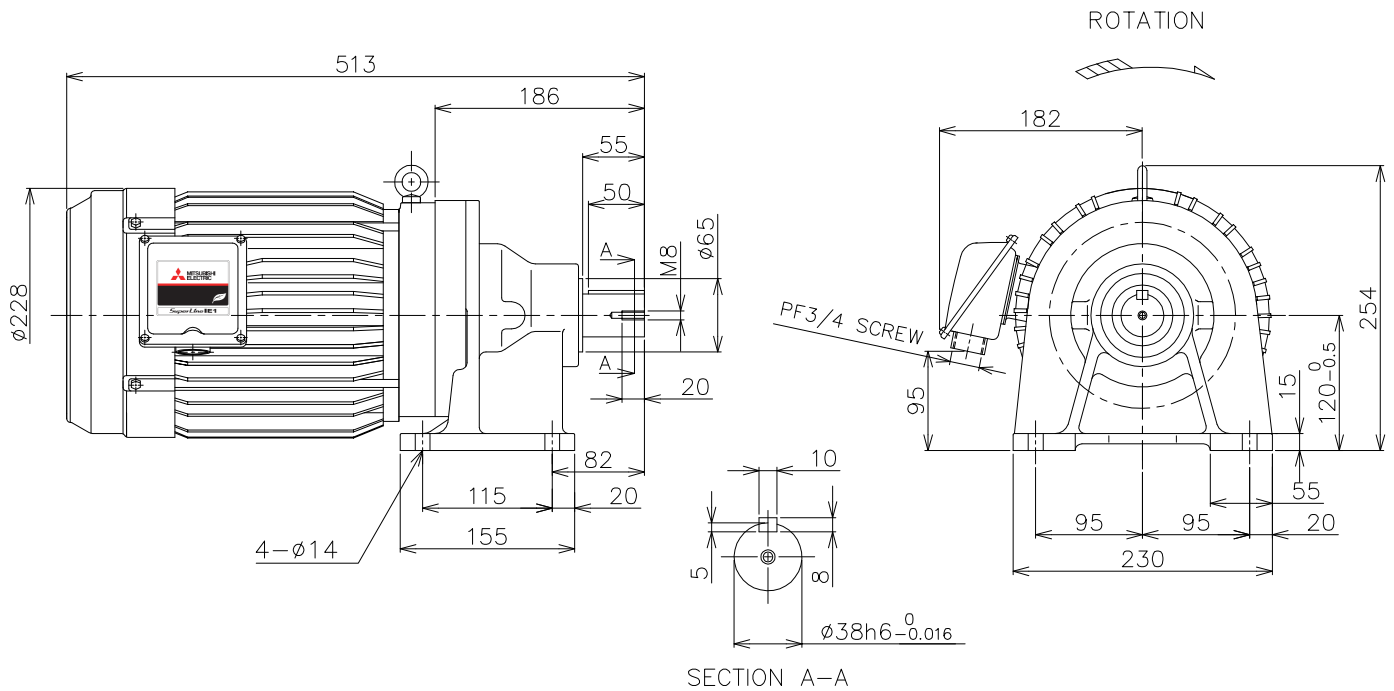
Specifications subject to change without notice.

SPECIFICATION SHEET NO.				
SS-M-1817-B				

MODEL SF-QRGC THREE PHASE INDUCTION MOTOR OUTLINE DRAWING

GEAR MOTOR
 TOTALLY ENCLOSED FAN COOLED
 DEGREES OF PROTECTION IP55
 DUST & WATER JET PROOF

CUSTOMER _____
 USER _____
 FOR _____
 CUSTOMER'S ORDER NO. _____
 QUANTITY _____
 MFG. ORDER NO. _____

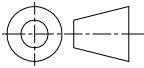


YOUR ORDER	MOTOR FRAME SIZE	RATING	TH. CLASS	AMB. TEMP	BEARINGS		COLOR	DIRECTION OF ROTATION (VIEWED FROM SHAFT END)	NO. OF LEAD WIRES	REMARKS
					LOAD SIDE	OPP. SIDE				
	112M	S1 (CONT.)	155(F)	40°C	6206ZZ	6206ZZ	BLACK (MUNSELL N1.5)	CW	6	

YOUR ORDER	GEAR MODEL	RATIO	SERVICE FACTOR	MOTOR OUTPUT		POLE	VOLT	HERTZ	OUTPUT SPEED (min ⁻¹)	AMP.	IE CODE-RATED EFF.	TYPE	LUBRICATION TYPE	WEIGHT (kg)
				HP	KW									
	CNHM5-6120-6	1:6	1.37	5	3.7	4	220/380/415	50	242	14.0/8.1/8.0	IE1-83.1%/83.1%/83.2%	LT	GREASE ⁽¹⁾	53.5
	CNHM5-6120-11	1:11	1.37	5	3.7	4	220/380/415	50	132					
	CNHM5-6120-15	1:15	1.37	5	3.7	4	220/380/415	50	97					
	CNHM5-6125-17	1:17	1.53	5	3.7	4	220/380/415	50	85					
	CNHM5-6125-21	1:21	1.29	5	3.7	4	220/380/415	50	69					
	CNHM5-6120-6	1:6	1.37	5	3.7	4	380/415	50	242	8.1/8.0	IE1-82.7%/82.7%	HT		
	CNHM5-6120-11	1:11	1.37	5	3.7	4	380/415	50	132					
	CNHM5-6120-15	1:15	1.37	5	3.7	4	380/415	50	97					
	CNHM5-6125-17	1:17	1.53	5	3.7	4	380/415	50	85					
	CNHM5-6125-21	1:21	1.29	5	3.7	4	380/415	50	69					

NOTE : (1) GREASE HAD BEEN FILLED FROM MANUFACTURER ALREADY.

MITSUBISHI ELECTRIC AUTOMATION (THAILAND) CO., LTD.

 DIMENSION IN mm. SCALE : NTS	OUTLINE DRAWING NO.	REV.
	ONM140320	A